

Sample Specification for 8825-3-HP Operator.

Below are the most common specification requests for ZAP Operators. We have designed this form to provide a quick copy and paste format that allows you to copy and paste the appropriate functions you may desire, with products that are known best to function with ZAP operators. If there are any suggestions for changes in writing, format, technical requirements, source of supply, or additions of products, please email us at sales@zap-america.com. We have also included a complete listing of manufacturers and sources of supply for the products listed herein at the end of the form.

ELECTRIC OPERATOR (Copy and paste below specification and desired standard option(s))

Provide appropriate ZAP Controls Model 8825 Series 3 HP DC jack shaft type electric operators rated for continuous duty use with inherent automatic obstruction sensing system for doors as shown on drawings, to operate the door at an approximate speed of (6-10") per second, and as required for door and lift conditions. Consult manufacturer for proper sizing of drive system relative to each door.

(sales@zap-america.com)

Controller:

ZAP Controller/3 button station. 115VAC. (NEMA 4), "OPEN/CLOSE/STOP", to be mounted as indicated on drawings. Voltage {eliminate voltages not required (115V 1 Phase, 208-230V 1 Phase, 480V 3 phase)}

UL 325-2010 commercial operator compliance mandates constant pressure close of the operator with the addition of an approved monitored photo eye.

1. Provide and install ZAP/UL-325-2010 (NEMA 6) approved monitored photo eye. ZAP PN 401002.

Standard Options (Eliminate functions not desired)

2. Programmable Auto-Close Timer to provide timer to close function.
 - a. Programmable from 4 seconds to 4 minutes. Programmable for safety (time out to close twice on obstruction before fault indication) or security (time out to close regardless of obstruction).
3. Programmable Mid-Stop.

ZAP Accessories (Copy and paste desired accessory function(s))

4. Provide and install ZAP (850) audible beeper module for audible announcement of door activation and programming function.
5. Provide and install (8070) Auto-Lock device to ensure positive locking of door when fully closed.
6. Provide and install dock leveler interlock device (82DTLM) to prevent operation of dock leveler until door is fully opened.
7. Provide and install (8830) Battery Backup system.
8. Provide relay and wiring for interlock of truck restraint to the interlock terminals of the ZAP controller.
9. Provide and install interlock device (82DTLM) to prevent operation of door sharing dual track system ensuring close function of door is inoperable unless opposing door is fully opened.
10. Provide and install dock leveler interlock device (82DTLM) to prevent operation of dock leveler until door is fully opened.
11. Provide and install driver communication light control device (82DTLM) to control 115VAC red/green traffic light, Reference number [eliminate device not required (TS-1 or TS-LED)], providing red light communication if door is in any position other than the fully closed position.

12. Provide and install communication light control device (822) to control warning strobe in loading dock door traffic situations, reference number [eliminate device not required (FBL-1 or SKH)], providing advance warning of pending door closure.
13. Provide and install (822) dock interlock device to prevent operation of dock leveler until door is fully opened. (822) Device is also to control warning strobe, Reference number [eliminate device not required (FBL-1 or SKH)], providing advance warning of pending door closure.
14. Provide and install through traffic communication light control device (82TLM) to control 115VAC red/green traffic light, reference number [eliminate device not required (TS-1 or TS-LED)], providing red light communication if door is in any position other than the fully open position.
15. Provide and install interlock device (82TLM) to provide door closed interlocking of 2 doors to in a sally port configuration rendering either door inoperable unless opposing door is fully closed.
16. Provide and install communication light control device (821) to control warning strobe in through traffic situations, reference number [eliminate device not required (FBL-1 or SKH)], providing advance warning of pending door closure.
17. Provide and install interlock device (821) to provide door closed interlocking of 2 doors to in a sally port configuration rendering either door inoperable unless opposing door is fully closed. Device is also to control warning strobe, Reference number [eliminate device not required (FBL-1 or SKH)], providing advance warning of pending door closure.
18. Provide and install 871-FS Fire Station module to prevent auto-close timer from closing door until vehicle has departed through the door opening.
 - a. Provide, install, and integrate 4 wire through beam photo cell (ZAP PN 401001) to provide hold open signal to 871 FS module.

Radio Controls (Copy and paste desired function(s))

19. Provide and install (enter desired manufacturers name and model) radio control receiver for each operator with (enter qty) handheld transmitters capable of controlling up to (enter qty) doors.
20. Provide and install ZAP radio control receiver PN 840 with internal antenna for each operator with (enter qty) 2 button handheld transmitters, Model 4202, capable of controlling up to 2 doors.
21. Provide and install ZAP radio control receiver PN 840 with external antenna for each operator with (enter qty) 2 button handheld transmitters, Model 4202, capable of controlling up to 2 doors.
22. Provide and install ZAP radio control receiver PN 840 with internal antenna for each operator with (enter qty) 6 button handheld transmitters, Model 4305A, capable of controlling up to 6 doors.
23. Provide and install ZAP radio control receiver PN 840 with external antenna for each operator with (enter qty) 2 button handheld transmitters, Model 4305A, capable of controlling up to 6 doors.
24. Provide and install ZAP radio control receiver PN 840 with internal antenna for each operator with (enter qty) forklift transmitters, Model (4500-50 interior use) (4500-66 exterior use) capable of controlling up to (enter qty up to 6) doors.
25. Provide and install ZAP radio control receiver PN 840 with external antenna for each operator with (enter qty) forklift transmitters, Model (4500-50 interior use) (4500-66 exterior use) capable of controlling up to (enter qty up to 6) doors.

External Controls (Copy and paste desired function(s))

26. Provide and install keyed lock out switch to prevent operation of door through key controlled access using Eaton Cutler Hammer, 22mm E22 series selector switch E22KB53A.
27. Provide and install keyed lock out switch to prevent operation of door through key controlled access using exterior surface mount key switch 1KXL .
28. Provide and install (enter qty) surface mount extra remote control station, reference number PBS3, at location(s) indicated on drawings to provide 3 button control (open, stop, close) of door operation.
29. Provide and install (enter qty) surface mount extra external NEMA 4 remote control station reference number, [eliminate device not required (3BX or PBT3)], at location(s) indicated on drawings to provide 3 button control (open, stop, close) of door operation.
30. Provide and install (enter qty) surface mount extra external NEMA 4 remote control station with lock out key switch, reference number [eliminate device not required (PBTL-3, 3BXLT) or (3BLM)] at location(s) indicated on drawings to provide 3 button control (open, stop, close) of door operation.
31. Provide and install (enter qty) surface mount, extra external NEMA 4 mushroom head remote control station, reference number [eliminate device not required (1MHC or 1MHD)] at location(s) indicated on drawings to provide 1 button control to open door operation.
32. Provide and install (enter qty) surface mount external NEMA 4 Key switch to provide momentary contact open, stop and close functions. Reference number [eliminate device not required (1KX, 1KXS, or 1KXL)] at location(s) indicated on drawings to provide 3 function control (open, stop, close) of door operation.
33. Provide and install (enter qty) surface mount SPST NEMA 4 Ceiling pull Reference number [eliminate device not required (CP-1,CPM-1,CP-1SW,CP-1B) to provide momentary contact cyclic Open, Close, Stop functions at location(s) indicated on drawings.
34. Provide and install (enter qty) surface mount SPST NEMA 4 Ceiling pull Reference number [eliminate device not required (CP-1,CPM-1,CP-1SW,CP-1B) to provide momentary contact Open functions at location(s) indicated on drawings. Requires use of Auto-Close Timer.
35. Provide and install (enter qty) surface mount, NEMA 4, unidirectional/ bidirectional motion detector [eliminate device not required (FALCON, EAGLE) to provide momentary contact Open functions at location(s) indicated on drawings. Requires use of Auto-Close Timer.

ZAP Controls

8825-HPC/D Series 3 Super Drive

Safety

- NEMA 4 compliance for the controller as a standard feature
- Compact size reduces potential for lifting injuries during installation
- Universal torsion shaft mounting system reduces the potential for unsafe work practices during installation
- Fully adjustable automatic obstruction sensing system detects obstructions on any part of the door in the open or close direction while monitoring the entire door movement for unsafe operation or service conditions
- Inherent soft start-soft stop, safety stop-reverse eliminates the mechanical stress damage to the door when the door reverses
- Self determining limit system prevents thrown cables from debris, ice, and snow left in the door opening

Value

- Continuous duty rated low voltage motor
- Ultra-Quiet DC Motor, will not thermally overload
- No extra costs to have controller achieve NEMA 4/IP 66 rating.
- Built in Service Due reminder may be activated to ensure regular maintenance based on cycles of usage
- Fully programmable Timer-to-close
- Built in interlock terminals to prevent door operation
- Programmable mid-stop
- Motor maximum amperage draw 5.8 Amps reducing number circuits required for multiple door applications
- Automatic obstruction sensing system surpasses the capabilities of a sensing edge detecting obstructions on any part of the door, eliminating the cost of a safety edge and associated wiring
- Reduces the occurrence of catastrophic damage to the door

Simplicity

- Simple one person installation that eliminate steel build ups, back hangs, welding, and specialty anchors
- Simplistic maintenance design concept
- PCB based system controller eliminates the cost of servicing electrical contactors, limit systems, and countless other parts
- When the operator emergency release lever is disengaged the door easily operates by hand
- Operates all lifts of sectional doors with counter-weights or torsion springs, including rear mount torsion
- Versatile sectional door application mounting. May be mounted vertically, horizontally, upside down, inside the cable drum, rear mount torsion, all without requiring wall or ceiling mount
- Simple wiring configurations and accessory modules that eliminate external limit relays to achieve various interlock configurations

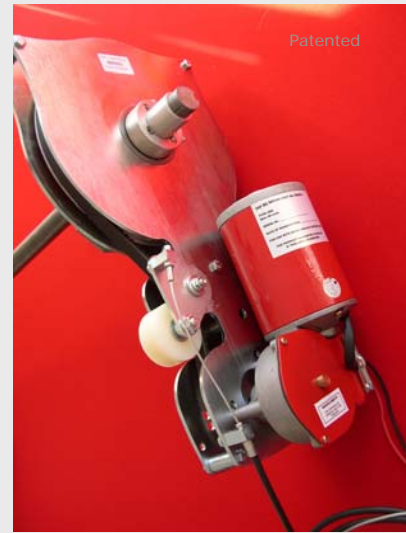
Reliability

- Industrial components ensure years of service
- Long life phosphor bronze worm drive gear system
- DC Motor and controller eliminates the problem of stuck motor switches, limit system failures, burned out starting capacitors and A/C motor malfunctions

ZAP Series 3 Simply Logical

Not For Use In Residential Applications

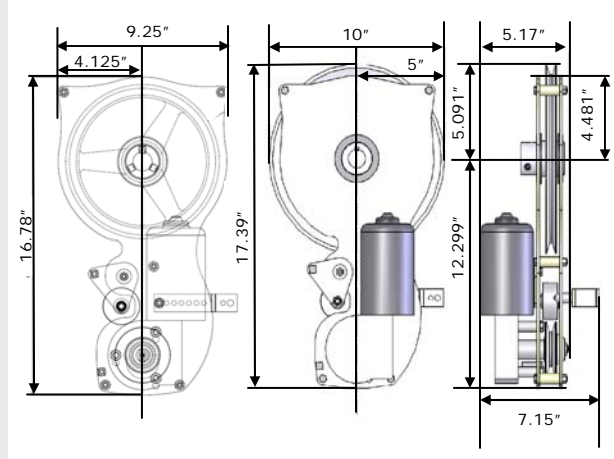
ZAP Controls
100 Waterloo Blvd. Anglesey Business Park, Littleworth Road, Cannock, Staffordshire, England
UK Office Number 011-44-154-387-9444 sales@zap-uk.com
USA Contact 931-510-4432 sales@zap-america.com
USA Tech Support 931-510-4432 via telephone or text
Online www.zap-uk.com



ZAP Controls
8825-HPC/D Series 3 Super-Drive
 Torsion Shaft Mounted DC Commercial Sectional Door Operator

Technical information for the 8825 HP B Series 3

Controller Case/Push button	NEMA 4/IP66
Controller Dimensions:	8.7"H X 10.6"W X 4.5"D
Single phase voltage:	115V US, 208-230V US, 230V EU
Three phase voltage:	460V US (Special order) 8825(X)-3-460
Amp draw:	5.8A
Power rating	2000 Newtons Equivalent 1.5 HP
Control circuit voltage:	6VDC
Limits determination:	Physical/Self Calibrating
Duty cycle rating:	Continuous
Operating Temp Range:	-22 deg F to 212 deg F
Overload protection:	Inherent motor current sensing
Lubrication:	Permanent
Torsion shaft type required:	Solid w/keyway
Fits Torsion shafts diameter:	1.25" / 1" with adapter insert
Adapter to 1" torsion shafts	PN ZA0191
Torsion shaft length required:	4.5" beyond outer edge of track
Side clearance required:	5.5" min for motor only
Replacement red motor P/N	600814
Replacement belt size	8825-HPC 600621 (AX38) 8825-HPD 600621 (AX41)



ZAP Controls

8825-HPC/D Series 3 Super-Drive

Commercial DC Sectional Door Operator

Lift Requirement	Low Headroom	Standard Lift	High Lift to 54"	High Lift above 54"	Vertical Lift
Door Size W X H					
10'-24"W X 16'-20"H	8825-3-HPC	8825-3-HPC	8825-3-HPC	8825-3-HPD	8825-3-HPD

Please read the instructions fully or attend training online before installation. Consult factory for door sizes beyond scope provided above. Operators are pre configured to accept 1.25" shaft. For 1" shafts order adapter insert PN ZA0191 The maximum door weight for sizes listed above is 1800 Lbs. The minimum door height 9'6".

Standard Features

- **Motor and controller**
Continuous duty rated DC Motor with controller, producing a powerful soft start/soft stop output of 2000 Newtons of force to drive commercial sectional doors while reducing mechanical impacts that cause premature wear of door components.
- **NEMA 4 rated controller case**
ZAP Controllers and push buttons are NEMA 4 compliant as a standard.
- **Drive reduction**
Worm drive gearbox & V-belt reduction drive with floor level, adjustable belt tensioning /emergency release lever.
- **Wiring type**
C2 (factory default), B2 failsafe is standard with the addition of approved photo eye.
- **Radio control and external receiver terminals**
Terminal strip provided inside the controller to provide quick, convenient connections for adding external radio control receivers from any desired manufacturer.
- **Bearings and belts**
Drive systems use industrial grade bearings and automotive grade long life v-belts. Our simplistic service design concept allows simple service of components in a matter of moments.
- **Construction**
Heavy-duty 8-gauge electro-plate finish steel frame, industrial bearings, phosphor bronze worm drive gears, aluminum drive pulley, secured with key stock and set screw for simple servicing.
- **Push button station**
Control unit acts as the standard 3-button station for open/close/stop functions. Controller may mounted remotely up to 24 feet away from the operator, provided it is to be wired with other external control devices that are designed to function as the primary door controls. Power supply is wired directly to the controller not the motor. Low voltage motor cable is supplied for easy wiring.

Value Added Standard Features

- **Automatic obstruction sensing system**
Inherent motor current sensing system monitors the entire door system for obstructions and unsafe operating conditions in both directions of travel. The system provides protections unavailable with traditional commercial operators and can automatically sense obstructions like locks, broken springs, unsafe service conditions, and other obstructions that cannot be detected by reversing edges and photo cells.
- **Safety stop and reverse**
Inherent motor current sensing system automatically incorporates and safety stop before reopening in soft start.
- **Auto-close timer**
Fully programmable auto-close timer automatically closes the door. (4 minutes) Requires the addition of approved photo cell.
- **Part open programming (Programmable mid stop)**
Programmable part open to stop door at predetermined height.
- **Prevent door operation interlock**
Built in interlock to prevent door operation, used with truck restraint systems, shared track applications or pass doors.
- **Max run time protection**
Inherent motor current sensing system provides automatic max runtime protection.

- **Emergency egress manual operation**
Emergency manual operation using a ground level over-ride lever disconnect. When lever is released, the door will operate manually by hand as if no operator is connected to the door. This unique system eliminates the need to electrically interlock the disconnect as the operator has no mechanical limits and physically disconnects from all drive systems when released. It also provides ground level adjustment of the motor drive belt.
- **Service due reminder**
May be activated to ensure regularly scheduled maintenance based on cycles of usage.
- **Versatile mounting configurations**
8825-3-HPC/D may be mounted in standard vertical, horizontal, inverted, inverted center mount inside the cable drum, or rear mount torsion configurations. Some applications may require the use of a longer Bowden cable for proper installation.

Options and Accessories

- **Fraba Optoeye UL 325 Compliant Monitored Entrapment Protection Device**
401002 photo eye is a Nema 6 UL 325 Compliant Monitored Entrapment Device designed for durability in all commercial applications.
- **Receivers and transmitters**
2, 4, and 6 button handheld and permanently mounted forklift transmitters are available for use with the model 840 receiver. The 840 receiver module can use either an internal or optional external antenna. Terminals are provided inside the controller to facilitate the use of a 24VDC external receiver from any radio control manufacturer.
- **Auto-lock**
8070 Auto-Lock provides integrated security with an electronic solenoid locking system that releases a shoot bolt above a roller when door is stopped and withdraws prior to door operation.
- **Rear mount torsion kit**
ZA0102 Bowden cable. 900005 Large offset torque arm.
- **Battery back up**
8830 Battery Back up systems allows operation of the operator during power outages.
- **Adapter insert**
ZA0191 Adapter insert for converting operator to accept 1" dead axle shafts.

Available Plug-in Modules

- **Auxiliary input expansion module**
871 module allows for expansion of input functions beyond the available connections on the controls board. It provides additional open, stop, close and cyclic operation input connections as well as an additional 24VDC supply.
- **Fire station module**
871 FS allows the incorporation of a second set of photo cells above man traffic height that will prevent the auto-close timer from timing out and closing a door before the vehicle has departed the facility. Once the vehicle has departed the opening fully, the timer is released.
- **Dock interlock/Traffic light control w/adv. warning**
82DTLM and the 822 Modules provide a N/O relay that closes when the door operator is in the fully opened position. It may be used as a dock interlock or to interlock a door that shares the same track system. Provides terminals to operate red/green driver communication lighting where mechanical dock levelers are used. 822 module provides advance warning of pending door closure with activation of the delay close programming. Terminals provided on 82DTLM may also be used to operate security, heating or other 5V to 240V devices up to 5 amps. Expansion port included for the addition of 8070 Auto-Lock, 871 FS, or 871 interface expansion modules.
- **Closed interlock/Traffic light control w/adv. warning**
82TLM and the 821 Modules provide a N/O relay that closes when the door operator is in the fully closed position. It may be used as a sally port interlock or to interlock any device that requires the door to be in the closed position. Provides terminals to operate red/green through traffic lights where it is desired to know the door is fully opened before proceeding through. 821 module provides advance warning of pending door closure with activation of the delay close programming. Terminals provided may also be used to operate security, heating or other 5V to 240V devices up to 5 amps. Expansion port is included for the addition of 8070 Auto-Lock, 871 FS, or 871 input expansion modules.
- **Loop detectors**
Both single, and twin loop detectors are available for either plug in or wall mount installation.

ZAP Controls

8825-HPB Series 3 Super Drive

Safety

- NEMA 4 compliance for the controller as a standard feature
- Compact size reduces potential for lifting injuries during installation
- Universal torsion shaft mounting system reduces the potential for unsafe work practices during installation
- Fully adjustable automatic obstruction sensing system detects obstructions on any part of the door in the open or close direction while monitoring the entire door movement for unsafe operation or service conditions
- Inherent soft start-soft stop, safety stop-reverse eliminates the mechanical stress damage to the door when the door reverses
- Self determining limit system prevents thrown cables from debris, ice, and snow left in the door opening

Value

- Continuous duty rated low voltage motor
- Ultra-Quiet DC Motor, will not thermally overload
- No extra costs to have controller achieve NEMA 4/IP 66 rating.
- Built in Service Due reminder may be activated to ensure regular maintenance based on cycles of usage
- Fully programmable Timer-to-close
- Built in interlock terminals to prevent door operation
- Programmable mid-stop
- Motor maximum amperage draw 5.8 Amps reducing number circuits required for multiple door applications
- Automatic obstruction sensing system surpasses the capabilities of a sensing edge detecting obstructions on any part of the door, eliminating the cost of a safety edge and associated wiring
- Reduces the occurrence of catastrophic damage to the door

Simplicity

- Simple one person installation that eliminate steel build ups, back hangs, welding, and specialty anchors
- Simplistic maintenance design concept
- PCB based system controller eliminates the cost of servicing electrical contactors, limit systems, and countless other parts
- When the operator emergency release lever is disengaged the door easily operates by hand
- Operates all lifts of sectional doors with counter-weights or torsion springs, including rear mount torsion
- Versatile sectional door application mounting. May be mounted vertically, horizontally, upside down, inside the cable drum, rear mount torsion, all without requiring wall or ceiling mount
- Simple wiring configurations and accessory modules that eliminate external limit relays to achieve various interlock configurations

Reliability

- Industrial components ensure years of service
- Long life phosphor bronze worm drive gear system
- DC Motor and controller eliminates the problem of stuck motor switches, limit system failures, burned out starting capacitors and A/C motor malfunctions

ZAP Series 3.0

Simply Logical

Not For Use In Residential Applications

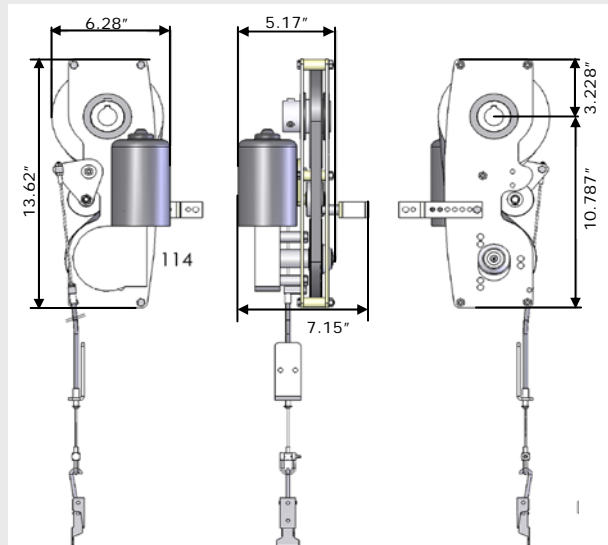
ZAP Controls
 100 Waterloo Blvd. Anglesey Business Park, Littleworth Road, Cannock, Staffordshire, England
 UK Office Number 011-44-154-387-9444 sales@zap-uk.com
 USA Contact 931-510-4432 sales@zap-america.com
 USA Tech Support 931-510-4432 via telephone or text
 Online www.zap-uk.com



ZAP Controls
8825-HPB Series 3.0 Super-Drive
 Torsion Shaft Mounted DC Commercial Sectional Door Operator

Technical information for the 8825 HP B Series 3

Controller case/push button	NEMA 4/IP66
Controller dimensions:	8.7"H X 10.6"W X 4.5"D
Single phase voltage:	115V US, 208-230V US, 230V EU
Three phase voltage:	460V US (Special order) 8825(X)-3-460
Amp draw:	5.8A
Power rating	2000 Newtons Equivalent 1.5 HP
Control circuit voltage:	6VDC
Limits determination:	Physical/Self Calibrating
Duty cycle rating:	Continuous
Operating temp range:	-22 deg F to 212 deg F
Overload protection:	Inherent motor current sensing
Lubrication:	Permanent
Torsion shaft type required:	Solid w/keyway or hollow tube
Fits torsion shafts diameter:	1"
Torsion shaft length required:	4.5" beyond outer edge of track
Side clearance required:	5.5" min for motor only
Replacement red motor P/N	600814
Replacement belt size	8825-HPB 600617 (AX29)



8825 3 HPB USA

ZAP Controls

8825-HPB Series 3 Super-Drive

Commercial DC Sectional Door Operator

Lift Requirement	Low Headroom	Standard Lift	High Lift to 54"	High Lift above 54"	Vertical Lift
Door Size W X H					
10'-24"W X 8'-12"H	8825-3-HPB	8825-3-HPB	8825-3-HPB	8825-3-HPB	8825-3-HPB
10'-20"W X 12'-15"H	8825-3-HPB	8825-3-HPB	8825-3-HPB	See 8825-3-HPC	See 8825-3-HPD

Please read the instructions fully or attend training online before installation. Consult factory for door sizes beyond scope provided above. The maximum door weight for sizes listed above is 1800 Lbs. The minimum door height 8'6".

Standard Features

- **Motor and controller**
Continuous duty rated DC Motor with controller, producing a powerful soft start/soft stop output of 2000 Newtons of force to drive commercial sectional doors while reducing mechanical impacts that cause premature wear of door components.
- **NEMA 4 rated controller case**
ZAP Controllers and push buttons are NEMA 4 compliant as a standard.
- **Drive reduction**
Worm drive gearbox & V-belt reduction drive with floor level, adjustable belt tensioning /emergency release lever.
- **Wiring type**
C2 (factory default), B2 failsafe is standard with the addition of approved photo eye.
- **Radio control and external receiver terminals**
Terminal strip provided inside the controller to provide quick, convenient connections for adding external radio control receivers from any desired manufacturer.
- **Bearings and belts**
Drive systems use industrial grade bearings and automotive grade long life v-belts. Our simplistic service design concept allows simple service of components in a matter of moments.
- **Construction**
Heavy-duty 8-gauge electro-plate finish steel frame, industrial bearings, phosphor bronze worm drive gears, aluminum drive pulley, secured with key stock and setscrew for simple servicing.
- **Push button station**
Control unit acts as the standard 3-button station for open/close/stop functions. Controller may mounted remotely up to 24 feet away from the operator, provided it is to be wired with other external control devices that are designed to function as the primary door controls. Power supply is wired directly to the controller not the motor. Low voltage motor cable is supplied for easy wiring.

Value Added Standard Features

- **Automatic obstruction sensing system**
Inherent motor current sensing system monitors the entire door system for obstructions and unsafe operating conditions in both directions of travel. The system provides protections unavailable with traditional commercial operators and can automatically sense obstructions like locks, broken springs, unsafe service conditions, and other obstructions that cannot be detected by reversing edges and photo cells.
- **Safety stop and reverse**
Inherent motor current sensing system automatically incorporates and safety stop before reopening in soft start.
- **Auto-close timer**
Fully programmable auto-close timer automatically closes the door. (4 minutes) Requires the addition of approved photo cell.
- **Part open programming (Programmable mid stop)**
Programmable part open to stop door at predetermined height.
- **Prevent door operation interlock**
Built in interlock to prevent door operation, used with truck restraint systems, shared track applications or pass doors.

- **Emergency egress manual operation**
Emergency manual operation using a ground level over-ride lever disconnect. When lever is released, the door will operate manually by hand as if no operator is connected to the door. This unique system eliminates the need to electrically interlock the disconnect as the operator has no mechanical limits and physically disconnects from all drive systems when released. It also provides ground level adjustment of the motor drive belt.
- **Max run time protection**
Inherent motor current sensing system provides automatic max runtime protection.
- **Service due reminder**
May be activated to ensure regularly scheduled maintenance based on cycles of usage.
- **Versatile mounting configurations**
8825-3-HPB may be mounted in standard vertical, horizontal, inverted, inverted center mount inside the cable drum, or rear mount torsion configurations. Some applications may require the use of a longer Bowden cable for proper installation.

Options and Accessories

- **Fraba Optoeye UL 325 Compliant Monitored Entrapment Protection Device**
401002 photo eye is a Nema 6 UL 325 Compliant Monitored Entrapment Device designed for durability in all commercial applications.
- **Receivers and transmitters**
2, 4, and 6 button handheld and permanently mounted forklift transmitters are available for use with the model 840 receiver. The 840 receiver module can use either an internal or optional external antenna. Terminals are provided inside the controller to facilitate the use of a 24VDC external receiver from any radio control manufacturer.
- **Auto-lock**
8070 Auto-Lock provides integrated security with an electronic solenoid locking system that releases a shoot bolt above a roller when door is stopped and withdraws prior to door operation.
- **Rear mount torsion kit**
ZA0102 Bowden cable. 900005 Large offset torque arm.
- **Battery back up**
8830 Battery Back up systems allows operation of the operator during power outages.

Available Plug-in Modules

- **Auxiliary input expansion module**
871 module allows for expansion of input functions beyond the available connections on the controls board. It provides additional open, stop, close and cyclic operation input connections as well as an additional 24VDC supply.
- **Fire station module**
871 FS allows the incorporation of a second set of photo cells above man traffic height that will prevent the auto-close timer from timing out and closing a door before the vehicle has departed the facility. Once the vehicle has departed the opening fully, the timer is released.
- **Dock interlock/Traffic light control w/adv. warning**
82DTLM and the 822 Modules provide a N/O relay that closes when the door operator is in the fully opened position. It may be used as a dock interlock or to interlock a door that shares the same track system. Provides terminals to operate red/green driver communication lighting where mechanical dock levelers are used. 822 module provides advance warning of pending door closure with activation of the delay close programming. Terminals provided on 82DTLM may also be used to operate security, heating or other 5V to 240V devices up to 5 amps. Expansion port included for the addition of 8070 Auto-Lock, 871 FS, or 871 interface expansion modules.
- **Closed interlock/Traffic light control w/adv. warning**
82TLM and the 821 Modules provide a N/O relay that closes when the door operator is in the fully closed position. It may be used as a sally port interlock or to interlock any device that requires the door to be in the closed position. Provides terminals to operate red/green through traffic lights where it is desired to know the door is fully opened before proceeding through. 821 module provides advance warning of pending door closure with activation of the delay close programming. Terminals provided may also be used to operate security, heating or other 5V to 240V devices up to 5 amps. Expansion port is included for the addition of 8070 Auto-Lock, 871 FS, or 871 input expansion modules.
- **Loop detectors**
Both single, and twin loop detectors are available for either plug in or wall mount installation.

ZAP Controls

82 DTLM Dock Interlock/Dock Traffic Light Control

ZAP Part# 82 DTLM

Description:

82 DTLM provides a N/O relay that closes when the door operator is in the fully opened position. It may be used as a dock interlock or to interlock a door that shares the same track system. Provides terminals to operate red/green driver communication lighting where mechanical dock levelers are used. Terminals provided may be used to operate security, heating or other 5V to 240V devices up to 5 amps. Expansion port included for the addition of 8070 Auto-Lock, 871 FS, or 871 input modules.

Interlock terminals:

Interlock N/O Relay closes when door is in fully open position.

Driver communication light terminals:

Red Light-N/O Relay closes when door is in any position other than fully closed position.
Green Light-N/O Relay closes when door is in fully closed position.

Common
24V

Wiring requirements:

14-20 AWG

Power requirement:

None

Mounting type:

Plug in

Terminal plug:

2 Position Dual Direction slide in plug
4 Position Dual Direction slide in plug

Works with:

All Commercial ZAP Controllers
871 Interface expansion module
871-FS

Dimensions:

Height: 1-5/8"
Width: 3 -5/8"
Depth: 7/8"



Operating temp:

-13 deg F to + 149 deg F

ZAP Controls
82 DTLM Dock Interlock/Dock Traffic Light Control

82DTLM USA

ZAP Series 3

Simply Logical

ZAP Controls
100 Waterloo Blvd. Anglesey Business Park, Littleworth Road, Cannock, Staffordshire, England
UK Office Number 011-44-154-387-9444 sales@zap-uk.com
USA Contact 931-510-4432 sales@zap-america.com
USA Tech Support 931-510-4432 via telephone or text
Online www.zap-uk.com

ZAP Controls

822 Dock Interlock/Advance door closure warning

ZAP Part# 822

Description:

822 provides a N/O relay that closes when the door operator is in the fully opened position. It may be used as a dock interlock or to interlock a door that shares the same track system. Provides terminals to operate red/green driver communication lighting where mechanical dock levelers are used. If programmed with built in close delay timer, module will facilitate the pre-announcement of pending door closure through the traffic light or an audible warning device. Expansion port included for the addition of 8070 Auto-Lock, 871 FS, or 871 input modules.

Interlock terminals:

Interlock N/O relay closes when door is in fully open position.

Driver communication light terminals:

Red Light-N/O Relay closes when door is in any position other than fully closed position.
Green Light-N/O Relay closes when door is in fully closed position.
Common
24V

Wiring requirements:

14-20 AWG

Power requirement:

None

Mounting type:

Plug in

Terminal plug:

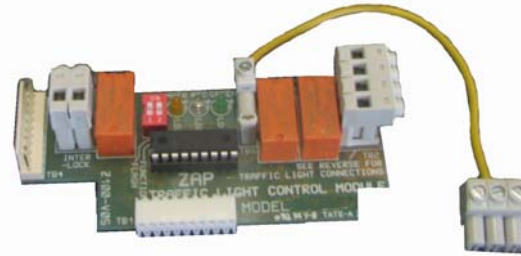
2 Position Dual Direction slide in plug
4 Position Dual Direction slide in plug

Works with:

All Commercial ZAP Controllers
871 Interface expansion module
871-FS

Dimensions:

Height: 1-5/8"
Width: 3 -5/8"
Depth: 7/8"



Operating temp:

-13 deg F to + 149 deg F

DIP switch functions:

If the FLASH dip switch is set to ON then the RED output will flash on and off while the door is moving, if the door is stopped before it is fully opened or closed and during the delay before closing.

If the FLASH dip switch is set to OFF then the RED output will remain on constantly in these situations.

If the FUNCTION dip switch is set to ON then the RED output will be off after the power is first applied or if the door is fully opened.

If the FUNCTION dip switch is OFF then the RED output will remain on constantly in these situations.

ZAP Controls
822 Dock Interlock/Advance door closure warning

822 USA

ZAP Series 3

Simply Logical

ZAP Controls
100 Waterloo Blvd. Anglesey Business Park, Littleworth Road, Cannock, Staffordshire, England
UK Office Number 011-44-154-387-9444 sales@zap-uk.com
USA Contact 931-510-4432 sales@zap-america.com
USA Tech Support 931-510-4432 via telephone or text
Online www.zap-uk.com

ZAP Controls

82 TLM Through traffic light module/Door closed interlock

ZAP Part# 82 TLM

Description:

82TLM provides a N/O relay that closes when the door operator is in the fully closed position. It may be used as a sally port interlock or to inter lock any device that requires the door to be in the closed position. Provides terminals to operate red/green through traffic lights where it is desired to know the door is fully opened before proceeding through. Terminals provided may also be used to operate security, heating or other 5V to 240V devices up to 5 amps. Expansion port is included for the addition of 8070 Auto-Lock, 871 FS, or 871 input expansion modules.

Trough traffic light terminals:

Red Light-N/O Relay closes when door is in any position other than fully open.
Green Light-N/O Relay closes when door is in fully open position.
Common
24V

Interlock terminals:

Interlock N/O relay closes when door is in fully closed position.

Wiring requirements:

14-20 AWG

Power requirement:

None

Mounting type:

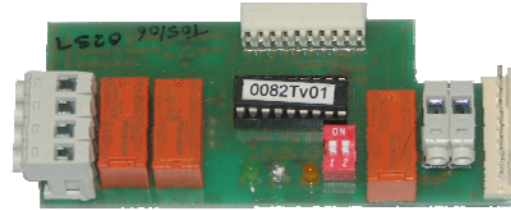
Plug in

Terminal pug:

2 Position Dual Direction slide in plug
4 Position Dual Direction slide in plug

Dimensions:

Height: 1-5/8"
Width: 3 -5/8"
Depth: 7/8"



Operating temp:

-13 deg F to + 149 deg F

Works with:

All Commercial ZAP Controllers
871 Interface module
871-FS

Settings 2 Way DIP Switch:

Switch 1-When "on" the red traffic light will switch off 3 minutes after the door has closed
Switch 2-When "on" the red traffic light will flash while the door is moving.

ZAP Controls
82 TLM Through traffic light module/Door closed

82TLM USA

ZAP Series 3

Simply Logical

ZAP Controls
100 Waterloo Blvd. Anglesey Business Park, Littleworth Road, Cannock, Staffordshire, England
UK Office Number 011-44-154-387-9444 sales@zap-uk.com
USA Contact 931-510-4432 sales@zap-america.com
USA Tech Support 931-510-4432 via telephone or text
Online www.zap-uk.com

ZAP Controls

821 Through traffic light module/Advance door closure warning

ZAP Part# 821

Description:

821 provides a N/O relay that closes when the door operator is in the fully closed position. It may be used as a sally port interlock or to inter lock any device that requires the door to be in the closed position. Provides terminals to operate red/green through traffic lights where it is desired to know the door is fully opened before proceeding through. If programmed with built in close delay timer, module will facilitate the pre-announcement of pending door closure through the traffic light or an audible warning device. Expansion port is included for the addition of 8070 Auto-Lock, 871 FS, or 871 input expansion modules.

Trough traffic light terminals:

Red Light-N/O Relay closes when door is in any position other than fully open.
Green Light-N/O Relay closes when door is in fully open position.
Common
24V

Interlock terminals:

Interlock N/O relay closes when door is in fully closed position.

Wiring requirements:

14-20 AWG

Power requirement:

None

Mounting type:

Plug in

Terminal plug:

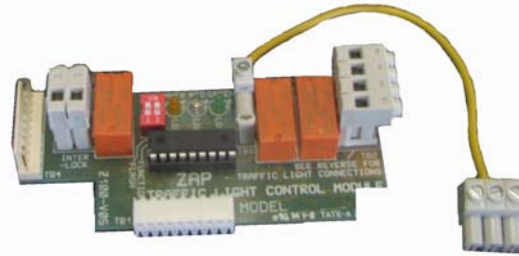
2 Position Dual Direction slide in plug
4 Position Dual Direction slide in plug

Dimensions:

Height: 1-5/8"
Width: 3 -5/8"
Depth: 7/8"

Operating temp:

-13 deg F to + 149 deg F



Works with:

All Commercial ZAP Controllers
871 Interface module
871-FS

DIP switch functions

If the FLASH dip switch is set to ON then the RED output will flash on and off while the door is moving, if the door is stopped before it is fully opened or closed and during the delay before closing.

If the FLASH dip switch is set to OFF then the RED output will remain on constantly in these situations.

If the FUNCTION dip switch is set to ON then the RED output will turn off three minutes after the power is first applied or the door has fully closed.

If the FUNCTION dip switch is OFF then the RED output will remain on constantly in these situations.

ZAP Controls
821 Through traffic light module/Advance door closure warning

821 USA

ZAP Series 3

Simply Logical

ZAP Controls
100 Waterloo Blvd. Anglesey Business Park, Littleworth Road, Cannock, Staffordshire, England
UK Office Number 011-44-154-387-9444 sales@zap-uk.com
USA Contact 931-510-4432 sales@zap-america.com
USA Tech Support 931-510-4432 via telephone or text
Online www.zap-uk.com

ZAP Controls

401002 UL 325 2010 Approved Photo Eye

ZAP Part# 401002

Description:

Nema 6 UL 325 Compliant Monitored Entrapment Device designed for durability in all commercial applications.

Wiring requirements:

Provided 22 AWG/2 (50')

Power requirement:

+6VDC to 40VDC

Mounting type:

Wall mount

Terminal plug:

6 Position Dual Direction slide in plug

Works with:

All standard commercial ZAP Controllers

Working distance:

Up to 45'

Dimensions:

Diameter of sensor 3/4"
 Sensor housing: 2"x1.25"
 Mounting Bracket: 1-1.2"x3-5/8"

Adjustability:

6"-7.5"

Operating temp:

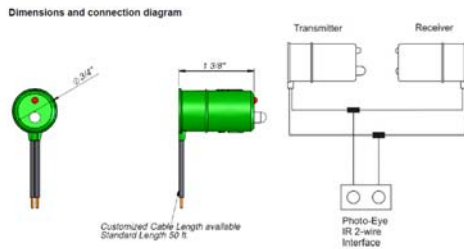
-13 deg F to +167 deg F.

Color indication of transmitter:

Grey Sealant

Color indication of receiver:

Black Sealant



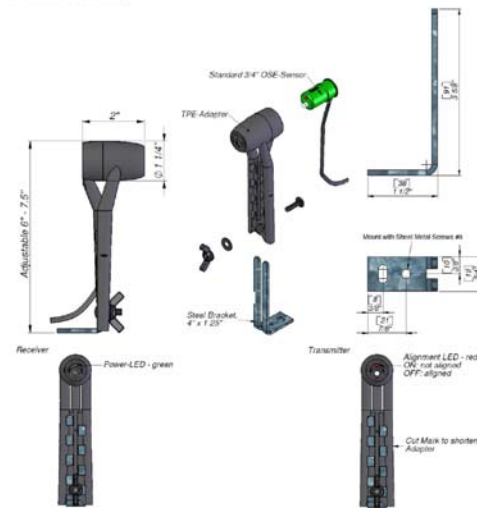
LED Status Description

Sensor Type	LED Color	Status	Description
Transmitter	Red	On	Sensors are not aligned
		Off	Sensors aligned properly
Receiver	Green	On	Sensors are Powered
		Off	Sensors without Power

Technical Data

General data	
Protection class	NEMA 6 (comparable to IP68)
Operation temperature	-13 °F to +167 °F
Material of the housing	Polypropylene (PP)
Diameter of the housing	3/4 in.
Length of the housing	1 3/8 in.
Signaling cable	PVC Insulation, 2 x 22 AWG
Length of signaling cable	Max. length from sensors to signal processing unit: ~650ft
Length of the cable	50ft, customized lengths available
Sealing compound	Polyurethane (PU)
Color of the sealing compound	Transmitter: grey
	Receiver: black
Voltage	+6 V DC to +40 V DC

Dimensions & Drawings



ZAP Series 3 Simply Logical

ZAP Controls
 100 Waterloo Blvd. Anglesey Business Park, Littleworth Road, Cannock, Staffordshire, England
 UK Office Number 011-44-154-387-9444 sales@zap-uk.com
 USA Contact 931-510-4432 sales@zap-america.com
 USA Tech Support 931-510-4432 via telephone or text
 Online www.zap-uk.com

ZAP Controls
401002 UL 325 2010 Approved Photo Eye

401002 USA

ZAP Controls

850 Audible Beeper Module

ZAP Part# 850

Description:

The 850 Beeper Module enables audible announcement of programming functions, cycle activation, Service Due Reminder, cycle count inquiries, and Auto-Close defeat. The 8830 Commercial Operator Battery Back Up system is designed for use with all standard ZAP Commercial operators.

Mounting type:

Plug in

Wiring requirements:

None

Power requirement:

None

Dimensions:

Height: 1-5/8"

Width: 7/8"

Depth: 3/4"

Operating temp:

-13 deg F to + 149 deg F

Works with:

All standard commercial ZAP Controllers



ZAP Controls
850 Audible Beeper Module

850 USA

ZAP Series 3 Simply Logical

ZAP Controls
100 Waterloo Blvd. Anglesey Business Park, Littleworth Road, Cannock, Staffordshire, England
UK Office Number 011-44-154-387-9444 sales@zap-uk.com
USA Contact 931-510-4432 sales@zap-america.com
USA Tech Support 931-510-4432 via telephone or text
Online www.zap-uk.com

ZAP Controls

8070 Auto-Lock

ZAP Part# 8070

Description:

8070 Auto-Lock provides integrated security with an electronic solenoid locking system that releases a shoot bolt above a roller when door is stopped and withdraws prior to door operation.

Wiring requirements:

Provided

Power requirement:

None

Mounting type:

8067 Module: Plug in

8068 Solenoid bolt assembly: Bolt on

Terminal plug:

2 Position Dual Direction slide in plug
2 Male, Female shielded terminals

Works with:

All Commercial ZAP Controllers

82-TLM

82DTLM

871 Interface module (requires 872 Adapter)

871-FS (requires 872 Adapter)

8067 module dimensions:

Height: 4 3/4"

Depth: 4"

Width: 1 3/4"

Solenoid bolt frame dimensions:

Height: 4 1/4"

Depth: 3 1/4"

Width: 1 1/8"

Cover dimensions:

Height: 4 9/16"

Depth: 3 1/2"

Width: 2 1/2"

Operating temp:

-13 deg F to + 149 deg F

Replacement parts:

PN-8067 Plug-in module,

PN-8068 Solenoid bolt assembly

PN-ZA0074 Power cable

PN-601431 Solenoid cover



ZAP Controls
8070 Auto-Lock

8070 USA

ZAP Series 3

Simply Logical

ZAP Controls
100 Waterloo Blvd. Anglesey Business Park, Littleworth Road, Cannock, Staffordshire, England
UK Office Number 011-44-154-387-9444 sales@zap-uk.com
USA Contact 931-510-4432 sales@zap-america.com
USA Tech Support 931-510-4432 via telephone or text
Online www.zap-uk.com

ZAP Controls

8830 Battery Back up

ZAP Part# 8830

Description:

The 8830 Commercial Operator Battery Back Up system is designed for use with all standard ZAP Commercial operators. Zap Controllers provide a constant charge to the battery system and automatically engage them in the event a power interruption and automatically disengage and resume charging upon restoration of the power supply.

Wiring requirements:

18 AWG/6

Power requirement:

16VDC Provided from controller

Mounting type:

Wall mount

Terminal plug:

6 Position Dual Direction slide in plug

Voltage output:

12VDC, 24VDC, 48VDC

Battery type:

Sealed Lead Acid

Charging system:

Current Limited Constant Voltage
Short Circuit and Reverse Connection Proof

Run time average:

10 Cycles

Dimensions:

Height: 8.5"
Width: 6.5"
Depth: 4.25"

Operating temp:

-13 deg F to + 149 deg F

Works with:

All standard commercial ZAP Controllers



ZAP Controls
8830 Battery Back up

8830 USA

ZAP Series 3 Simply Logical

ZAP Controls
100 Waterloo Blvd. Anglesey Business Park, Littleworth Road, Cannock, Staffordshire, England
UK Office Number 011-44-154-387-9444 sales@zap-uk.com
USA Contact 931-510-4432 sales@zap-america.com
USA Tech Support 931-510-4432 via telephone or text
Online www.zap-uk.com

ZAP Controls

871 Interface Expansion Module

ZAP Part# 871

Description:

The 871 Interface Expansion Module is a plug-in module that allows additional expansion room for the input of external control devices such as three channel external radio control receiver for open stop and close function via radio transmitter, microwave sensors, and loop detectors.

Operations provided:

- N/O Single contact operation (Cyclic)
- N/O Single contact operation (Open)
- N/O Single contact operation (Close)
- N/O Single contact operation (Stop)

Input terminals provided:

Open/Stop/Close/Common/Cycle

Output terminal provided:

24VDC power

Overload protection circuit:

LED illuminates if the power supply is over-loaded, due to a fault or by a device drawing too much current.

Wiring requirements:

14-20 AWG

Power requirement:

None

Mounting type:

Plug in

Terminal plug:

6 Position Dual Direction slide in plug

Dimensions:

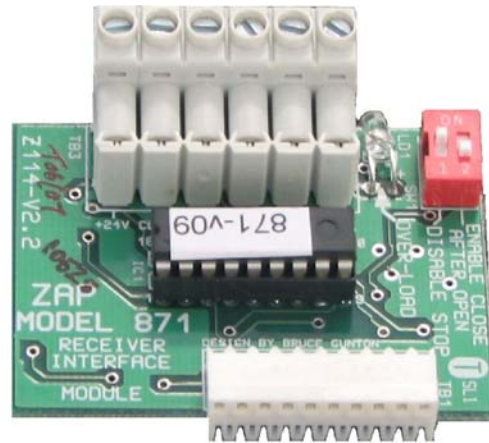
Height: 1 7/8"
Width: 2 1/8"
Depth: 3/4"

Operating temp:

-13 deg F to + 149 deg F

Works with:

All Commercial ZAP Controllers
82-TLM
82DTLM
8070 Auto-Lock (requires 872 Adapter)



ZAP Controls
871 Interface Expansion Module

871 USA

ZAP Series 3

Simply Logical

ZAP Controls
100 Waterloo Blvd. Anglesey Business Park, Littleworth Road, Cannock, Staffordshire, England
UK Office Number 011-44-154-387-9444 sales@zap-uk.com
USA Contact 931-510-4432 sales@zap-america.com
USA Tech Support 931-510-4432 via telephone or text
Online www.zap-uk.com

ZAP Controls

871-FS Fire Station Module

ZAP Part# 871-FS

Description:

The 871 Fire Station Module is a special variant of the 871 Interface Expansion Module. It allows the use of a second photo-cell system to inhibit the Auto-Close function of standard ZAP Operator until an emergency vehicle departing a facility has passed through the photo cell beam and exited the facility fully. This prevents the circumstance that causes damage to many fire station and ambulance station sectional doors by fault of the timer to close timer closing the door before the vehicle has left the facility. Once the departing emergency vehicle has passed through the photo cells' beam, the Auto-Close timer is then released and allowed to time out and the door closes.

Operations provided:

Hold Open signal when using Auto Close Timer is employed until vehicle departs facility.

Input terminals provided:

Open/Stop/Close/Common/Cycle

Output terminal provided:

24VDC power

Overload protection circuit:

LED illuminates if the power supply is over-loaded, due to a fault or by a device drawing too much current.

Wiring requirements:

14-20 AWG

Wiring required:

N/C Photo eye safety connection (Cyclic)
N/C Photo eye common connection (Com)

Power requirement:

None

Mounting type:

Plug in

Terminal plug:

6 Position Dual Direction slide in plug

Dimensions:

Height: 1 7/8"
Width: 2 1/8"
Depth: 3/4"



Operating Temp:

-13 deg F to + 149 deg F

Works with:

All ZAP Controllers except 8850 Turbo
82-TLM
82DTLM
8070 Auto-Lock (requires 872 Adapter)

As close function on controller case lid is not functional when 871 FS is employed it is necessary to disconnect Close wire (grey) from TB3 on ZAP control board and wire to close terminal on 871 FS .

ZAP Controls
871-FS Fire Station Module

871 FS USA

ZAP Series 3

Simply Logical

ZAP Controls
100 Waterloo Blvd. Anglesey Business Park, Littleworth Road, Cannock, Staffordshire, England
UK Office Number 011-44-154-387-9444 sales@zap-uk.com
USA Contact 931-510-4432 sales@zap-america.com
USA Tech Support 931-510-4432 via telephone or text
Online www.zap-uk.com

ZAP Controls

401001 Through Beam photo cell

ZAP Part# 401001

Description:

Provides a polarized infrared light through separate sending and receiving photo cells to sense traffic and or obstructions in the door opening. The unit has a 20 meter through beam operating range, universal polarity supply, and robust compact plastic housing. Visible red beams aids alignment. Adjustable sensitivity with position indicator. Isolated changeover relay contacts.

Wiring requirement:

14-20 AWG

Power requirement:

12-24VDC
120VAC-240VAC

Mounting type:

Wall Mount

Dimensions:

Height: 1-5/8"
Width: 7/8"
Depth: 3/4"

Operating temp:

-13 deg F to + 149 deg F

Works with:

871-FS
8855 Turbo drive Fire Station model to facilitate Auto-close Fire Station programming

Not For UL 325 2010 Use



ZAP Controls
401001 Through Beam photo cell

401001 USA

ZAP Series 3 Simply Logical

ZAP Controls
100 Waterloo Blvd. Anglesey Business Park, Littleworth Road, Cannock, Staffordshire, England
UK Office Number 011-44-154-387-9444 sales@zap-uk.com
USA Contact 931-510-4432 sales@zap-america.com
USA Tech Support 931-510-4432 via telephone or text
Online www.zap-uk.com

ZAP Controls

840 Plug In Receiver/2416 Internal Antenna/2414 External Antenna

ZAP Part# 840

Description:

Zap plug-in radio receiver with signal light.

Wiring requirements:

None

Power requirement:

None

Mounting type:

Plug in

Programming:

Program button on main control panel.

Operating temp:

-13 deg F to + 149 deg F

Works with:

871-FS

8855 Turbo drive Fire Station model to facilitate Auto-close Fire Station programming

Operating frequency:

433.92 Mhz.

Number of transmitters accepted:

Up to 60 Zap Transmitters on commercial models 825 3.0/8825 3.0. Up to 10 ZAP transmitters on other models.

Antennas

Internal: Model 2416

Plug-in internal antenna for standard use. The 2416 is not recommended for use where there is a steel building or a lack of windows.

Mounting type:

Plug in

Terminal plug:

2 Position Dual Direction slide in plug

Operating temp:

-13 deg F to + 149 deg F

840



2416



2414



External: Model 2414

Wall mounting case with external adjustable direction antenna for use where signal shielding caused by a steel building or any other facility where a lack of windows is prevalent.

Wiring requirement:

Coaxial provided

Terminal plug:

2 Position Dual Direction slide in plug

Mounting type:

Wall mount

Cable length:

10'

Dimensions:

Height: 4 1/2"
Width: 2 7/8"
Depth: 2 3/8"

Operating temp:

-13 deg F to + 149 deg F

ZAP Controls
840 Plug In Receiver/2416 Internal Antenna/2414 External Antenna

840 2416 2414 USA

ZAP Series 3

Simply Logical

ZAP Controls
100 Waterloo Blvd. Anglesey Business Park, Littleworth Road, Cannock, Staffordshire, England
UK Office Number 011-44-154-387-9444 sales@zap-uk.com
USA Contact 931-510-4432 sales@zap-america.com
USA Tech Support 931-510-4432 via telephone or text
Online www.zap-uk.com

ZAP Controls

4305-A, 4202, 4113 Handheld Radio Control Transmitters

ZAP Controls
4305-A, 4202, 4113 Handheld Radio Control Transmitters



4305-A
Channels: 6
Dimensions:
 Length: 5-7/16"
 Width: 2-1/4"
 Depth: 13/16"

Description:
 6 channel hand held transmitter. The transmitter features an extra heavy duty plastic housing with a rubber grip around the sides of the transmitter to take the abuse associated with forklift use. High visibility orange plastic housing.

Battery: 9 Volt Type: PP3

Operating temperature: -13 deg F to + 149 deg F

Operating frequency: 433.92 MHz



4202
Channels: 2
Dimensions:
 Length: 5-9/16"
 Width: 1-9/16"
 Depth: 7/16"
 With Visor Clip: 1-5/8"

Description:
 2 channel transmitter with visor clip. The transmitter also features a series of led indicators that flash back and forth after releasing the transmit button to signal activation. Silver plastic housing.

Battery:
 Button type: CR1632
 Qty required: 4 ea
 ZAP Part#: 400409
 Pkg of 25 ea

Operating temperature: -13 deg F to + 149 deg F

Operating frequency: 433.92 MHz



4113
Channels: 4
Dimensions:
 Length: 3"
 Width: 1-1/4"
 Depth: 1/2"

Description:
 4 channel key-fob transmitter. The transmitter features an led indicator to signal activation. Magenta plastic housing.

Battery: Button type: CR292
 Qty required: 4 ea
 ZAP Part#: 400402
 Pkg of 20 ea

Operating temp: -13 deg F to + 149 deg F

Operating frequency: 433.92 Mhz.

4305A 4202 4113 USA

ZAP Series 3
Simply Logical

ZAP Controls
 100 Waterloo Blvd. Anglesey Business Park, Littleworth Road, Cannock, Staffordshire, England
 UK Office Number 011-44-154-387-9444 sales@zap-uk.com
 USA Contact 931-510-4432 sales@zap-america.com
 USA Tech Support 931-510-4432 via telephone or text
 Online www.zap-uk.com

ZAP Controls

Forklift Radio Control Transmitters

4500-50

Description:

Forklift mounted transmitter. The transmitter features a heavy duty die-cast aluminum housing in a high visibility orange color and are rated for indoor use. The transmitter is designed to permanently mount to the forklift, eliminating the constant loss associated with handheld transmitters. The units permanently wire to the forklift battery system and offer a voltage range of 12 to 72 volts dc. Models are available in 1, 2, 4, and 6 channels.

ZAP part numbers:	4501-50	1 button
	4502-50	2 button
	4504-50	4 button
	4506-50	6 button

Case dimensions:

Length:	4-1/2"
w/ antenna:	6-3/4"
Width:	2-1/2"
Depth:	2-3/16"

Works with: 840 Receiver

Battery: None

Frequency: 433.92 Mhz.

Operating temperature:

-13 deg F to + 149 deg F



4500-66

Description:

Forklift mounted transmitter. The transmitter features a heavy duty die-cast aluminum housing in a high visibility orange color and are rated for outdoor use. The transmitter is designed to permanently mount to the forklift, eliminating the constant loss associated with handheld transmitters. The units permanently wire to the forklift battery system and offer a voltage range of 12 to 72 volts dc. Models are available in 1, 2, 4, and 6 channels.

ZAP part numbers:	4501-66	1 button
	4502-66	2 button
	4504-66	4 button
	4506-66	6 button

Case Dimensions:

Length:	4-1/2"
w/ antenna:	6-3/4"
Width:	2-1/2"
Depth:	2-3/16"

Works with: 840 Receiver

Battery: None

Frequency: 433.92 Mhz.

Operating temperature:

-13 deg F to + 149 deg F



4500-50 4500-66 USA

**ZAP Series 3
Simply Logical**

ZAP Controls
100 Waterloo Blvd. Anglesey Business Park, Littleworth Road, Cannock, Staffordshire, England
UK Office Number 011-44-154-387-9444 sales@zap-uk.com
USA Contact 931-510-4432 sales@zap-america.com
USA Tech Support 931-510-4432 via telephone or text
Online www.zap-uk.com

3 Button Stations
Source of supply MMTC



**PBS-3 - Momentary Contact,
OPEN-CLOSE-STOP**
H 5-5/16", W 2-3/8", D 1-13/16"



3BX

3BX
Exterior Control Station,
OPEN-CLOSE-STOP
H 4-3/8", W 4-1/8", D 2-5/8"

UL Listed



PBT-3

PBT-3
Exterior Control Station
OPEN-CLOSE-STOP
H 6", W 2-3/4", D 3-1/2"

3 Button Stations with Lockout
Source of supply MMTC



3BLM Exterior - Three Button Control with Mortise Lockout in Metal Enclosure
H 7", W 2-3/4", D 3-1/2"

Available with Best Cylinder or Equivalent



PBTL-3

PBTL-3
Exterior Three Button with Key Lockout
OPEN-CLOSE-STOP
H 7", W 2-3/4", D 3-1/2"



3BXLT
Three Button Exterior Control with Lockout
H 7", W 2-3/4", D 2-3/4"

UL Listed, CSA Approved

1 Button Mushroom Head Controls
Source of supply MMTC

1MHC



1MHC - NEMA 4 Mushroom
Head Control
H 3-1/4", W 2-3/4", D 2-1/2"



1MHD

1MHD - Heavy Duty NEMA
4, Metal Mushroom Head
Control H 3-1/2", W 3", D 3"

Ceiling Pulls
Source of supply MMTTC



CP-1
Exterior Ceiling Pull Switch, SPST
H 4", W 3-3/4", D 2-3/4"



CPM-1
Exterior Ceiling Pull with Rotating
& Pivoting Cam to Accommodate
Angle of Pull, SPST, Universal
Mount, Heater Available



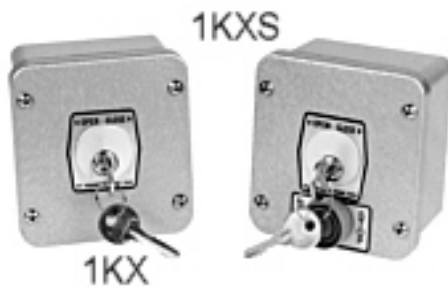
CP-1SW
Exterior Ceiling Pull Switch -
SPST with Rotating and Pivoting
Cam to Accommodate Angle of
Pull

CP-1B
Exterior Ceiling Pull Switch -
SPST with Rotating Head

Key switches
Source of supply MMTC



1KXL - EXTERIOR Surface
Mount Key Switch, Two
Position ON-OFF
H 4-3/8", W 4-1/8", D 2-5/8"



1KX - TAMPERPROOF
Exterior Surface Mount Key
Switch, OPEN-CLOSE with
Center Return

1KXS - TAMPERPROOF
Exterior Surface Mount Key
Switch with Stop Button,
OPEN-CLOSE with Center
Return
H 4-3/8", W 4-1/8", D 2-5/8"

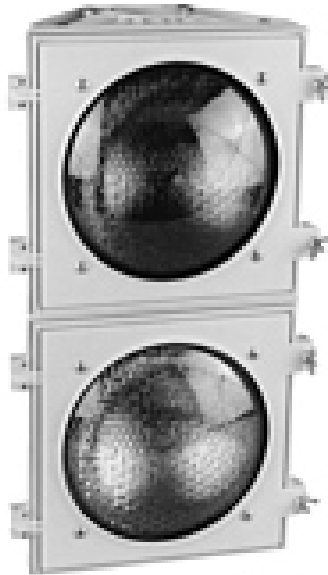
**Specify Keyed Alike or
Random Available with
Best Cylinder or Equivalent**

Keyed Lockout
Source of Supply Automationdirect.com



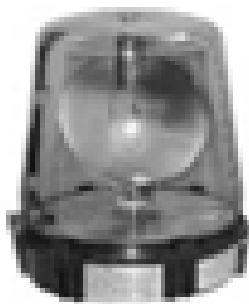
E22KB53A Selector switch, 22mm non-metallic,
2-position, maintained, OFF/ON key switch, OX circuit.

Traffic and Warning Lights
Source of supply MMTC



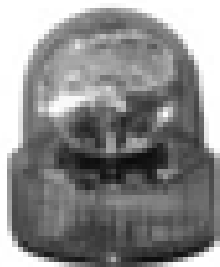
TS-1 Traffic Signal Two Position
RED/GREEN
8" Lights in Polycarbonate
Enclosure 115VAC
Supplied with Visors and Bulbs
Mounting Hardware Available, (*TSM-1*)
but not Included as Standard
H 20", W 11-1/2", D 6"

TS-LED
Same as Above Except with LED



FBL-1

FBL-1 - Economical Rotating Beacon
Light. Available in Amber, Red, Green
or Blue. 115VAC only



SKH

SKH - Motor Driven Rotating Beacon
Light with One-piece Lens and Base.
Available in Red or Amber.
Specify 120VAC or 24VAC
Optional Mounting Bracket Available-
Specify P/N SZ-007

Motion Sensors
Source of supply MMTC



FALCON

FALCON

Unidirection or bidirectional motion detector that can discriminate between pedestrian and vehicular traffic. NEMA 4 waterproof. Adjustments can be made via optional remote control
12/24VAC/VDC



EAGLE

EAGLE

Unidirection motion detector with tracking or bidirectional sensing capabilities. Wide and narrow pattern antennas. IP 45 water resistant. Adjustments can be made via optional remote control
12/24VAC/VDC

ZAP Products

Sources of Supply

Advanced Concepts Distribution / Mason City IA / 866-860-6927 / www.acd-usa.com

Custom Door Controls / Albemarle NC / 704-982-2885 / www.customdoorcontrols.com

Fehr Brothers / Saugerties NY / 800-431-3095 / www.fehr.com

Martin Door Manufacturing / Salt Lake City UT / 800-388-9310 / www.martindoor.com

Resource Industries / Fort Worth TX / 866-316-7337 / www.re-sourceind.com

Richards Wilcox / Mississauga ONT / 905- 625-0037 / www.rwdoors.com

Service Door Industries / Mississauga ONT / 905-670-1200 / www.servicedoor.com

ZAP Products

Sources of Supply

Advanced Concepts Distribution / Mason City IA / 866-860-6927 / www.acd-usa.com

Custom Door Controls / Albemarle NC / 704-982-2885 / www.customdoorcontrols.com

Fehr Brothers / Saugerties NY / 800-431-3095 / www.fehr.com

Martin Door Manufacturing / Salt Lake City UT / 800-388-9310 / www.martindoor.com

Resource Industries / Fort Worth TX / 866-316-7337 / www.re-sourceind.com

Richards Wilcox / Mississauga ONT / 905-625-0037 / www.rwdoors.com

Service Door Industries / Mississauga ONT / 905-670-1200 / www.servicedoor.com

Other products listed in this form

Sources of Supply

MMTC Inc. / Flanders NJ / 800-942-6682 / www.mmtcinc.com

Automationdirect.com / Cumming GA / 800-633-0405 / Automationdirect.com