

# Series 3 Technician's Installation and Service Training Manual

## Additional 3 Button Wall Station



**Warning Electrical Shock Hazard**  
To prevent serious injury or death always ensure power is disconnected when wiring anything into the ZAP Controller.

**Materials Needed**  
16-20 awg 4 conductor cable, 3 Button Wall Station.

Isolate the power supply before wiring any device into a ZAP Controller.

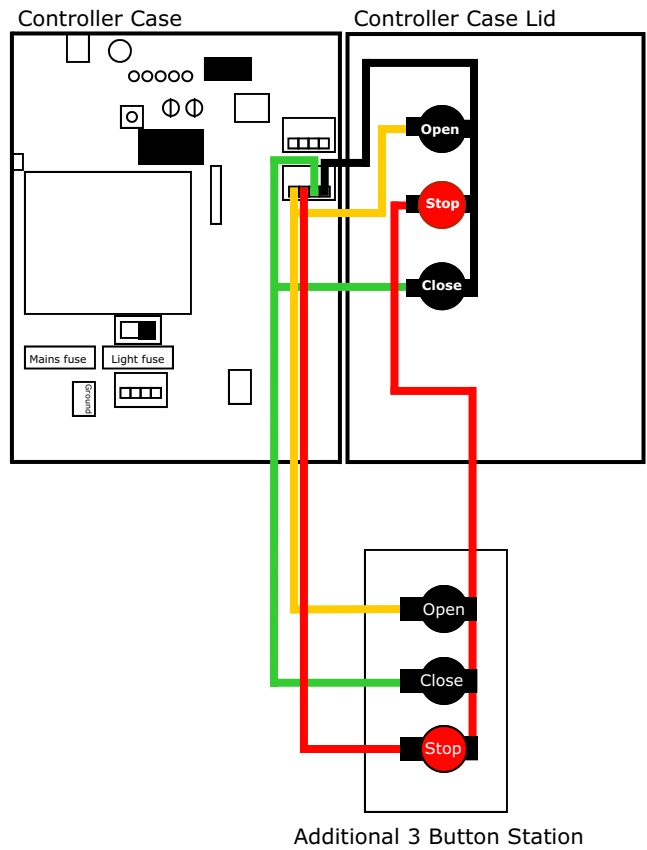
Unplug the case lid plug from TB 3 and remove the red wire from the plug-in terminal.

Using your 4 wire cable, insert a wire into the stop position of the plug-in terminal and terminate the other end of that wire into the external 3 button controller stop terminal. (red wire diagram)

Attach another wire to the red wire that was removed by means of a wire nut and terminate the other end of the wire onto the common strip of the external 3 button controller, thereby creating a loop through both the external 3 button station stop button and the ZAP Case lid stop button circuit. (red wire diagram)

Wire in parallel from the open connection on the case lid plug to the open button connection on the 3 button station. (orange wire diagram)

Next, wire in parallel from the close connection on the case lid plug to the close button connection on the 3 button station. (green wire diagram)



Series 3 Technician's Installation and Service Training Manual  
Additional 3 Button Wall Station

Series 3 Additional 3 Button Wall Station

### ZAP Series 3 Simply Logical

ZAP Controls  
100 Waterloo Blvd. Anglesey Business Park, Littleworth Road, Cannock, Staffordshire, England  
UK Contact 011-44-154-387-9444 sales@zap-uk.com  
USA Contact 931-510-4432 sales@zap-america.com  
USA Tech Support 931-510-4432 via telephone or text  
Online www.zap-uk.com